

File Name: bts installation manual.pdf

Size: 3723 KB

Type: PDF, ePub, eBook

Category: Book

Uploaded: 26 May 2019, 19:44 PM

Rating: 4.6/5 from 798 votes.

Status: AVAILABLE

Last checked: 13 Minutes ago!

In order to read or download bts installation manual ebook, you need to create a FREE account.

[**Download Now!**](#)

eBook includes PDF, ePub and Kindle version

[Register a free 1 month Trial Account.](#)

[Download as many books as you like \(Personal use\)](#)

[Cancel the membership at any time if not satisfied.](#)

[Join Over 80000 Happy Readers](#)

Book Descriptions:

We have made it easy for you to find a PDF Ebooks without any digging. And by having access to our ebooks online or by storing it on your computer, you have convenient answers with bts installation manual . To get started finding bts installation manual , you are right to find our website which has a comprehensive collection of manuals listed.

Our library is the biggest of these that have literally hundreds of thousands of different products represented.

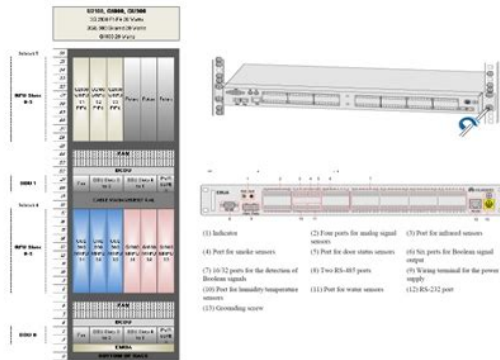


Book Descriptions:

bts installation manual

EMUA Quick Installation Manual for BTS3900L

EMUA Installation Instruction:



EMUA is installed at the bottom of BTS3900L cabinet. For the reason of heat dissipation, **gap** need to be kept between BBU and EMUA and between EMUA and the Bottom of Rack.

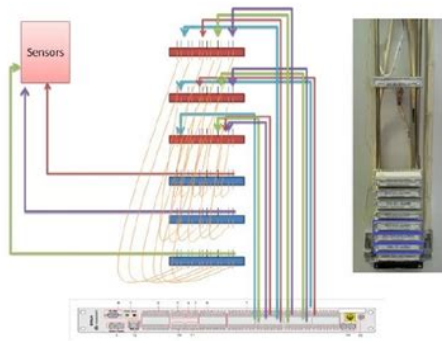
IssueTrademarks and PermissionsAll other trademarks and trade names mentioned in this document are the property of their respective holders. Notice. The purchased products, services and features are stipulated by the contract made between Huawei and theUnless otherwise specified in the contract, all statements, information,The information in this document is subject to change without notice. Every effort has been made in theHuawei Technologies Co., Ltd. Address. Huawei Industrial Base. Bantian, Longgang. Shenzhen 518129. Peoples Republic of China. WebsiteIssue 10 20140516. Huawei Proprietary and ConfidentialAbout This Document. About This Document. Purpose. This document describes the procedures for installing a BTS3902E WCDMA in differentProduct Version. The following table lists the product version related to this document. Product Name. Product Version. BTS3902E WCDMA referred toV200R013C00 and later versions. V100R008C00 and later versions. The singlemode base station version mapping to. V100R008C00 is NodeB V200R015C00. Intended Audience. This document is intended for. Base station installation engineers. System engineers. Site maintenance engineers. OrganizationThis chapter describes the changes in BTS3902E WCDMA Installation Guide.This chapter describes instrument preparations, and skills and qualifications that installationIssue 10 20140516. Huawei Proprietary and ConfidentialAbout This DocumentThis chapter describes the information that you must be familiar with before installing a. BTS3902E, including the BTS3902E application scenarios, installation options, physicalUnpack and check the delivered equipment to ensure that all the materials are included and intact.The Electronic Serial Number ESN is a unique identifier of a device. It is used during baseTherefore, record the ESN before installing the BTS3902E.There areThis document uses one type as the example to describe.This chapter describes the procedures for installing the BTS3902E.<http://szdaza.com/pic/dcb-p850zs-manual.xml>

- **huawei bts 3900 installation manual pdf, ericsson bts installation manual pdf, nokia bts installation manual, zte bts installation manual pdf, dorma bts 84 installation manual, bts installation manual.**



The procedures involveThis chapter describes the procedure for installing a BTS3902E with an external antenna, whenThe BTS3902E can be installed on a metal pole, wall, woodThis chapter describes the procedure for installing a BTS3902E with an embedded antenna,The BTS3902E can be installed on a metal pole,This chapter describes the dimensions, installation clearance requirements, and installationTwo types of surge protection boxes SPD60D and SPM60A are available for the BTS3902E.This chapter describes the procedures and precautions for installing the PGND cables, powerIt also describesThis chapter describes the procedures for installing the upper housing and optional camouflageThere are two typesThis chapter describes how to check the hardware installation after a BTS3902E is installed.Issue 10 20140516. This chapter describes the procedure for performing a poweron check on the BTS3902E.This chapter describes reference information during installation. Conventions. Symbol Conventions. The symbols that may be found in this document are defined as follows. Symbol. Description. Indicates an imminently hazardous situation which, if notIndicates a potentially hazardous situation which, if notIndicates a potentially hazardous situation which, if notNOTICE is used to address practices not related to personalCalls attention to important information, best practices andNOTE is used to address information not related to personalGeneral Conventions. The general conventions that may be found in this document are defined as follows. Issue 10 20140516. Convention. Times New Roman. Normal paragraphs are in Times New Roman. Boldface. Names of files, directories, folders, and users are in*Italic*. Book titles are in *italics*. Courier New. Examples of information displayed on the screen are in `Command Conventions`. The command conventions that may be found in this document are defined as follows.<http://mnogonomerov.ru/uploads/dcam-manual.xml>

EMUA Alarm Cable Connection Instruction:



Alarm Cables are connected from EMUA to DDF (new), and cascaded the new DDF to the existing DDF which connected to Sensors. In the above graph, the new DDF are shown in red colour, and the existing DDF are shown in blue colour.

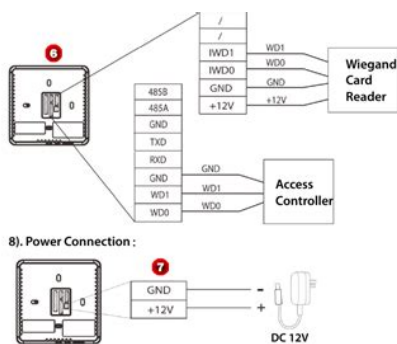
The details of the cable pairs need to be done according to the following Tables.

- Normally one site doesn't have all the sensors installed currently. So only the Sensor whose name can be found from the existing DDF labels need to be connected.

The keywords of a command line are in boldface. Italic. Command arguments are in italics. Optional items are grouped in braces and separated by Optional items are grouped in brackets and separated by Optional items are grouped in brackets and separated by GUI Conventions. The GUI conventions that may be found in this document are defined as follows. Buttons, menus, parameters, tabs, window, and dialog titles Keyboard Operations. The keyboard operations that may be found in this document are defined as follows. Format. Key. Press the key. For example, press Enter and press Tab. Press the keys concurrently. Key 1, Key 2. Press the keys in turn. For example, pressing Alt, A means Huawei Proprietary and Confidential About This Document. Mouse Operations. The mouse operations that may be found in this document are defined as follows. Action. Click. Select and release the primary mouse button without moving Doubleclick. Press the primary mouse button twice continuously and Drag. Press and hold the primary mouse button and move the Huawei Proprietary and Confidential Contents. Contents. About This Document. Issue 10 20140516. Huawei Proprietary and Confidential Contents Issue 10 20140516. Huawei Proprietary and Confidential Changes in BTS3902E WCDMA Installation. Guide. This chapter describes the changes in BTS3902E WCDMA Installation Guide. Compared with 09 20140228, no information is added. Compared with 09 20140228, this issue incorporates the following change. Topic. Change Description. Entire document. The BTS3902E working at the 850 MHz frequency Compared with 09 20140228, no information is deleted. Compared with 08 20131205, no information is added. Compared with 08 20131205, this issue incorporates the following change. Modified the description of the application scope Compared with 08 20131205, no information is deleted. Huawei Proprietary and Confidential Compared with 07 20131130, no information is added.

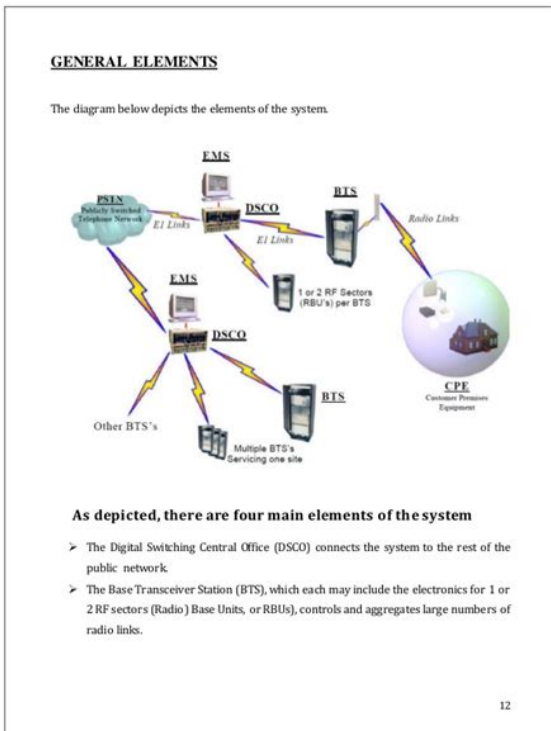
Compared with 07 20131130, this issue incorporates the following change. The DC powered BTS3902E working at the AWS Compared with 07 20131130, no information is deleted. Compared with 06 20130822, this issue includes the following new information. Compared with 06 20130822, this issue incorporates the following changes. V100R008C00 is added to the application scope of Modified the description about cable connections Compared with 06 20130822, this issue deletes the following topics. BTS3902E Exterior. BTS3902E Ports. BTS3902E Indicators Compared with 05

20130415, this issue includes the following new information. Compared with 05 20130415, no information is changed. Compared with 05 20130415, no information is deleted. Issue 10 20140516. Huawei Proprietary and Confidential. Compared with 04 20121230, no information is added. Compared with 04 20121230, this issue incorporates the following change. Optic Cable. Modified the method of installing the optical fiber. Compared with 04 20121230, no information is deleted. Compared with 03 20120915, no information is added. Compared with 03 20120915, this issue incorporates the following changes. Change Description Pole with the Diameter of 200 mm to which a BTS3902E can be installed. Pole with the Diameter of 200 mm to ESD Floor. Modified the description about installing the IFS06. Modified the method of installing the main and Optic Cable. Modified the description about installing the round Fiber Optic Cable. Compared with 03 20120915, no information is deleted. Compared with 02 20120315, no information is added. Compared with 02 20120315, this issue incorporates the following change. Huawei Proprietary and Confidential. Topic. Change Description. Modified the description about cable connections. Compared with 02 20120315, no information is deleted. Compared with 01 20111119, this issue includes the following new information. Compared with 01 20111119, this issue incorporates the following changes.



<http://www.drupalitalia.org/node/72488>

Modified the flanges on the optical and electrical. Deleted the description about cable connections of. Compared with 01 20111119, no information is deleted. Compared with draft B 20110922, no information is added. Compared with draft B 20110922, no information is changed. Compared with draft B 20110922, no information is deleted. Draft B 20110922. This is a draft release. Compared with draft A 20110630, this issue includes the following new information. Compared with draft A 20110630, this issue incorporates the following changes. Change Description. The position of the ESN is modified. Added the caution for installing an optical module. Fiber Optic Cable. Compared with draft A 20110630, no information is deleted. Draft A 20110630. Huawei Proprietary and Confidential. Installation Preparations. About This Chapter. This chapter describes instrument preparations, and skills and qualifications that installation. This section describes the reference documents that must be ready before the installation. This section lists the tools and instruments that must be obtained before installation. Onsite personnel must be qualified and trained. Before performing any operation, onsite. Issue 10 20140516. Huawei Proprietary and Confidential. This section describes the reference documents that must be ready before the installation. Before the installation, you must familiar with the following reference documents. During the installation, you must familiar with the following reference document. This section lists the tools and instruments that must be obtained before installation. Marker diameter 10 mm. Hammer drill with a 12 bit, Rubber mallet. Phillips screwdriver M3 to. Diagonal pliers. Flathead screwdriver M3 to. Issue 10 20140516. Wire clippers. Wire stripper. COAX crimping tool. Crimping tool for power. Utility knife. Heat gun. Huawei Proprietary and Confidential. Combination wrench size. Adjustable wrench size. Adjustable wrench size. Torque wrench size 17 mm. Socket wrench M10 and. Measuring tape. ESD gloves.



Vacuum cleaner. Multimeter. ESD wrist strap Onsite personnel must be qualified and trained. Before performing any operation, onsite Before the installation, pay attention to the following items. The customers technical engineers must be trained by Huawei and be familiar with the The number of onsite personnel depends on the engineering schedule and installation Issue 10 20140516. Huawei Proprietary and Confidential Information About the Installation. This chapter describes the information that you must be familiar with before installing a. BTS3902E, including the BTS3902E application scenarios, installation options, physical This section describes the application scenarios of the BTS3902E. This section describes the BTS3902E installation options. The BTS3902E can be installed on a This section describes the clearance requirements for installing a BTS3902E on a metal pole, This section describes the mounting kits for a BTS3902E and the precautions for hoisting the Huawei Proprietary and Confidential This section describes the application scenarios of the BTS3902E. The BTS3902E works well for covering hot spots and reducing blind spots. Insufficient network With its flexible deployment, Figure 31 BTS3902E Application Scenarios This section describes the BTS3902E installation options. The BTS3902E can be installed on a On a Metal Pole with the Diameter Ranging from 60 mm to 114 mm 2.36 in. to 4.49 Figure 32 shows the diameter of a metal pole for installing a BTS3902E. Issue 10 20140516. Huawei Proprietary and Confidential Figure 32 Diameter of a pole. Figure 33 shows the BTS3902E installed on a metal pole. Figure 33 BTS3902E installed on a metal pole. On a Metal Pole with the Diameter Ranging from 114 mm to 400 mm 4.49 in. to Figure 34 shows the diameter of a metal pole for installing a BTS3902E. Figure 34 Diameter of a pole. Huawei Proprietary and Confidential Figure 35 shows the BTS3902E installed on a metal pole. Figure 35 BTS3902E installed on a metal pole. On a Wall.



The wall on which a BTS3902E is installed must meet the following requirements. When a single BTS3902E is installed, the wall must have a capacity of bearing at least four

Figure 36 shows the BTS3902E installed on a wall. Huawei Proprietary and Confidential

Figure 36 BTS3902E installed on a wall. On a Wood Pole with the Diameter Ranging from 200 mm to 400 mm 7.87 in. to

Figure 37 shows the BTS3902E installed on a wood pole. Figure 37 Diameter of a pole. Figure 38 shows a

Figure 38 BTS3902E installed on a wood pole. Huawei Proprietary and Confidential

Figure 38 BTS3902E installed on a wood pole. On an IFS06 Under a Cable Tray with a Restricted Height. In the scenario where a cable tray is 1.8 m to 2 m 5.91 ft. to 6.56 ft. above the floor height

restricted scenario, BTS3902Es are installed on beam 2 and beam 4, as shown in Figure 39. Figure 39 Height

restricted scenario

Issue 10 20140516 Huawei Proprietary and Confidential

Figure 310 shows BTS3902Es installed on an IFS06 under a cable tray with a restricted height. Figure 310 BTS3902Es installed on an IFS06 under a cable tray with a restricted height. On an IFS06 Under a Cable Tray with an Unrestricted Height. In the scenario where a cable tray is more than 2 m 6.56 ft. above the floor height

unrestricted

Huawei Proprietary and Confidential

Figure 311 Height unrestricted scenario

Figure 312 shows BTS3902Es installed on an IFS06 under a cable tray with an unrestricted

Issue 10 20140516. Huawei Proprietary and Confidential

Figure 312 BTS3902Es installed on an IFS06 under a cable tray with an unrestricted height

This section describes the clearance requirements for installing a BTS3902E on a metal pole,

Figure 313 shows the recommended clearance for installing a single BTS3902E. Huawei Proprietary and Confidential

Figure 313 Recommended clearance for installing a single BTS3902E. Figure 314 shows the minimum clearance for installing a single BTS3902E. Figure 314 Minimum clearance for installing a single BTS3902E.

Figure 315 shows the recommended clearance for installing two BTS3902Es side by side. Huawei Proprietary and Confidential Figure 315 Recommended clearance for installing two BTS3902Es side by side. Figure 316 shows the minimum clearance for installing two BTS3902Es side by side. Figure 316 Minimum clearance for installing two BTS3902Es side by side. Figure 317 shows the recommended clearance for installing two BTS3902Es in a vertical line. Huawei Proprietary and Confidential Figure 317 Recommended clearance for installing two BTS3902Es in a vertical line. Figure 318 shows the minimum clearance for installing two BTS3902Es in a vertical line. Huawei Proprietary and Confidential Figure 318 Minimum clearance for installing two BTS3902Es in a vertical line. Figure 319 shows the recommended clearance for installing two BTS3902Es on an IFS06. Huawei Proprietary and Confidential Figure 319 Recommended clearance for installing two BTS3902Es on an IFS06. Figure 320 shows the minimum clearance for installing two BTS3902Es on an IFS06. Huawei Proprietary and Confidential Figure 320 Minimum clearance for installing two BTS3902Es on an IFS06 This section describes the mounting kits for a BTS3902E and the precautions for hoisting the An aluminum mounting kit consists of an attachment plate and mounting brackets. It is used for Attachment plate. Figure 321 shows the attachment plate of an aluminum mounting kit. Huawei Proprietary and Confidential Figure 321 Attachment plate of an aluminum mounting kit Mounting bracket assembly. Figure 322 shows the mounting bracket assembly of an aluminum mounting kit. Figure 322 Mounting bracket assembly of an aluminum mounting kit Angle Adjustable Mounting Kits. The angle adjustable mounting kits are applied to install a BTS3902E with the embedded Attachment plate. Figure 323 shows the attachment plate of the angle adjustable mounting kits.

<https://www.sidertest.it/wp-content/plugins/formcraft/file-upload/server/content/files/1626c42f22c537---campbell-hausfeld-gas-pressure-washer-manual.pdf>

Figure 323 Attachment plate of the angle adjustable mounting kits Mounting bracket assembly. Figure 324 shows the mounting bracket assembly of the BTS3902E. Figure 324 Mounting bracket assembly of the angle adjustable mounting kits Adapting plate. Figure 324 shows the adapting plate assembly of the BTS3902E. Huawei Proprietary and Confidential Figure 325 BTS3902E adapting plate assembly Precautions for Hoisting a BTS3902E. When hoisting the BTS3902E, pay attention to the following points. Ensure that the housing of the BTS3902E is securely installed before hoisting. When Place a foam pad or cardboard on the ground to protect the housing of the BTS3902E from Do not stand the BTS3902E Issue 10 20140516. Huawei Proprietary and Confidential Unpacking the Equipment. Unpack and check the delivered equipment to ensure that all the materials are included and intact. Prerequisites Context Prevent them from colliding with doors, walls, shelves, or other objects. Wear clean gloves, and avoid touching the equipment, components, or parts with bare hands, sweatsoaked gloves, or dirty gloves. Procedure. Step 1 Check the total number of articles in each case according to the packing list. If. Then. The total number tallies with the packing Go to Step 2. The total number does not tally with the Find out the cause and report any missing Step 2 Check the exterior of the packing case. Huawei Proprietary and Confidential If. The outer packing is intact. Go to Step 3. The outer packing is severely damaged or Find out the cause and report it to the local Huawei office. Step 3 Check the type and quantity of the equipment in the cases according to the packing list. Types and quantity of the article tally with Sign the Packing List with the customer. There is any shipment shortage or wrong Fill in and submit the Cargo Shortage and. Mishandling Report. Articles are damaged. Fill in and submit the Article Replacement. Report. Issue 10 20140516.

Obtaining the ESN. The Electronic Serial Number ESN is a unique identifier of a device. It is used during base Therefore, record the ESN before installing the BTS3902E. There are This document uses one type as the example to describe. Step 1 Use an M4 Phillips screwdriver to loosen the two captive screws from the upper housing, as Figure 51 Loosening

the screws from the housing. Step 2 Move the upper housing until it is stopped, as shown in Figure 52. Huawei Proprietary and Confidential Figure 52 Moving the upper housing. Step 3 Record the ESN on the BTS3902E. The ESN is printed on the label and on the BTS3902E. You need to take the label with the site Figure 53 Obtaining the ESN. Huawei Proprietary and Confidential Step 4 Report the ESN to the engineer for the commissioning of the base station. Step 5 Close the housing according to the instructions in 11.2 Installing the Upper Housing. Issue 10 20140516. Huawei Proprietary and Confidential Installation Process. This chapter describes the procedures for installing the BTS3902E. The procedures involve Figure 61 shows the installation procedure. The following figure shows the procedures in which checking the power on status is after installing the housing. Huawei Proprietary and Confidential Figure 61 Process of installing a BTS3902E. Huawei Proprietary and Confidential Installing a BTS3902E using aluminum About This Chapter. This chapter describes the procedure for installing a BTS3902E with an external antenna, when The BTS3902E can be installed on a metal pole, wall, wood This section describes the procedure and precautions for installing a BTS3902E on a pole with This section describes the procedure and precautions for installing a BTS3902E on a pole with This section describes the procedure and precautions for installing a BTS3902E on a wall. This section describes the procedure and precautions for installing a BTS3902E on a wood pole.

This section describes the procedure and precautions for installing BTS3902Es on an IFS06. Huawei Proprietary and Confidential This section describes the procedure and precautions for installing a BTS3902E on a pole with Procedure. Step 1 Determine the position for installing the main mounting bracket. Step 2 Fit one end of the auxiliary bracket to one double-headed nut assembly of the main bracket. Step 3 Install the bracket assembly on the pole, and then fit the other end of the auxiliary bracket to the Figure 71 Installing the bracket assembly After the main and auxiliary Issue 10 20140516. Huawei Proprietary and Confidential Figure 72 Securing the bracket assembly onto the pole. Step 5 Install the BTS3902E onto the main mounting bracket until the BTS3902E snaps shut, as shown Figure 73 Installing the BTS3902E onto the main mounting bracket This section describes the procedure and precautions for installing a BTS3902E on a pole with Issue 10 20140516. Huawei Proprietary and Confidential Procedure. Step 1 Install an adapting plate both on the top and bottom of the main mounting bracket. Tighten two. Figure 74 Installing the adapting plate assembly Step 2 Install two hose clamps through the mounting hole group B on the adapting plates, as shown in. Figure 75. Huawei Proprietary and Confidential Figure 75 Installing the hose clamps through the mounting hole group B Step 3 Install the mounting piece, as shown in Figure 76. Issue 10 20140516. Huawei Proprietary and Confidential Figure 76 Securing the hose clamps Step 4 Install the BTS3902E onto the main mounting bracket until the BTS3902E snaps shut, as shown Figure 77 Installing the BTS3902E onto the main mounting bracket. Huawei Proprietary and Confidential This section describes the procedure and precautions for installing a BTS3902E on a wall. Context Procedure. Figure 78 Installing the adapting plate assembly Step 2 Place the adapting plates against the wall, use a level to verify that the plates are horizontal, and Issue 10 20140516.

Huawei Proprietary and Confidential Figure 79 Marking anchor points Step 3 Drill holes at the anchor points, and then install expansion bolt assemblies, as shown in Figure Huawei Proprietary and Confidential Figure 710 Drilling holes and install expansion bolt assemblies If the spacing is too wide or too narrow, drill holes again. Otherwise, the device cannot be installed on the wall evenly Step 4 Fit the mounting piece on the expansion bolt, and then use a combination wrench with a size. Figure 711. Issue 10 20140516. Huawei Proprietary and Confidential Figure 711 Fitting the mounting piece onto the expansion bolts Step 5 Install the BTS3902E onto the main mounting bracket until the BTS3902E snaps shut, as shown Issue 10 20140516. Huawei Proprietary and Confidential Figure 712 Installing the BTS3902E onto the main mounting bracket This section describes the procedure and precautions for installing a BTS3902E on a wood pole. Step 1 Drill two holes with the diameter of 18 mm 0.71 in. on the middle axis of the wood pole, Issue 10 20140516. Huawei Proprietary and

ConfidentialFigure 713 Drilling holes. Step 2 Install an adapting plate both on the top and bottom of the main mounting bracket. Huawei Proprietary and ConfidentialFigure 714 Installing the adapting plate assemblyStep 3 Install the securing piece, as shown in Figure 715.Issue 10 20140516. Huawei Proprietary and ConfidentialFigure 715 Securing the securing piecesIssue 10 20140516. Huawei Proprietary and ConfidentialFigure 716 Tightening nutsStep 5 Install the BTS3902E on the main mounting bracket until the BTS3902E snaps shut, as shownIssue 10 20140516. Huawei Proprietary and ConfidentialFigure 717 Installing the BTS3902E on the main mounting bracketThis section describes the procedure and precautions for installing BTS3902Es on an IFS06.This section describes the procedure for assembling an IFS06. ProcedureIssue 10 20140516. Huawei Proprietary and ConfidentialFigure 718 Installing the rear feet.

Step 2 Turn over the IFS06 and use six M1230 bolt assemblies to secure front feet to the main frame. Figure 719 Installing the front feet. Huawei Proprietary and ConfidentialStep 3 In heightrestricted scenarios, move the adjustable beams from the positions marked 2 m 6.56Figure 720 Moving the adjustable beam. Step 4 Fit the tabs of the cable tray into the corresponding slots on the columns of the IFS06, as shown. Figure 721 Installing cable traysIssue 10 20140516. Huawei Proprietary and ConfidentialThis section describes the procedures for installing the IFS06 on the concrete floor and ESDThis section describes the procedure for installing the IFS06 on the concrete floor. Step 1 Place the markingoff template on the floor. Then use a marker to mark four anchor points, asIssue 10 20140516. Huawei Proprietary and ConfidentialFigure 722 Marking anchor pointsStep 2 Drill holes at the anchor points and install expansion bolts in the holes, as shown in FigureIf any hole does notUse a rubber malletOtherwise, the cabinet cannot be installed on the concreteIssue 10 20140516. Huawei Proprietary and ConfidentialFigure 723 Drilling a hole and installing an expansion bolt assemblyStep 3 Place the IFS06, as shown in Figure 724.Then install the bolts in the mounting holes on the IFS06.Figure 724 Installing the boltsStep 4 Use a level to measure all sides of the frame and use spacers to level the frame if necessary, asIssue 10 20140516. Huawei Proprietary and ConfidentialFigure 725 Checking and leveling the IFS06Figure 726 Tightening the boltsThis section describes the procedure for installing the IFS06 on the ESD floor. Huawei Proprietary and ConfidentialContext. Figure 727 shows a support for installing the ESD floor. Such a support can have either anThe same procedure is used for installing the two typesFigure 727 Support for installing the ESD floorThe height of an ESD floor is the spacing between the concrete floor and the upper surface ofType. Height of the ESD FloorProcedure.

Step 1 Place the markingoff template on the ESD floor. Then use a marker to mark four anchor points,Issue 10 20140516. Huawei Proprietary and ConfidentialFigure 728 Marking anchor pointsStep 2 Drill holes on the ESD floor, as shown in Figure 729. Ensure that the hammer drill penetratesFigure 729 Drilling holes. Huawei Proprietary and ConfidentialStep 3 Drill holes on the concrete floor, as shown in Figure 730.Figure 730 Marking holes on the concrete floorStep 4 Drill holes at the anchor points on the concrete floor. Then install the expansion bolt assembly,If any hole does notUse a rubber malletIssue 10 20140516. Huawei Proprietary and ConfidentialOtherwise, the cabinet cannot be installed on the concreteFigure 731 Drilling a hole and installing an expansion bolt assemblyStep 5 Use M12x60 bolts, spring washers, and flat washers to secure the support for installing the ESDIssue 10 20140516. Huawei Proprietary and ConfidentialFigure 732 Installing supports. Step 6 Remove the bolts that are used to temporarily secure the support, as shown in Figure 733. Figure 733 Removing bolts. Step 7 Install the IFS06 to the ESD floor, without tightening the bolts, as shown in Figure 734. Huawei Proprietary and ConfidentialFigure 734 Installing the boltsStep 8 Use a level to measure all sides of the frame and use spacers to level the frame if necessary, asFigure 735 Checking and leveling the IFS06Issue 10 20140516Huawei Proprietary and ConfidentialFigure 736 Tightening the boltsThis section describes the procedure for installing a main bracket. Heightunrestricted scenario. In the heightunrestricted scenario, main brackets are installed on beam 1 and beam 3, asFor details about how to install a main bracket, see the label on

anHuawei Proprietary and ConfidentialFigure 737 Installing main brackets in the heightunrestricted scenario. Huawei Proprietary and ConfidentialHeightrestricted scenario.

In the heightrestricted scenario, main brackets are installed on beam 2 and beam 4, asFor details about how to install a main bracket, see the label on anHuawei Proprietary and ConfidentialFigure 738 Installing main brackets in the heightrestricted scenarioIssue 10 20140516Huawei Proprietary and ConfidentialA PGND cable connects a ground screw on an IFS06 to the onsite ground bar to ensure properContext. Table 71 lists the specifications of a PGND cable. Table 71 Specifications of a PGND cable. Cable. One End. The Other End.

<http://www.drupalitalia.org/node/72489>